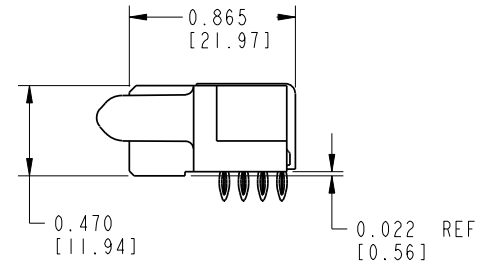
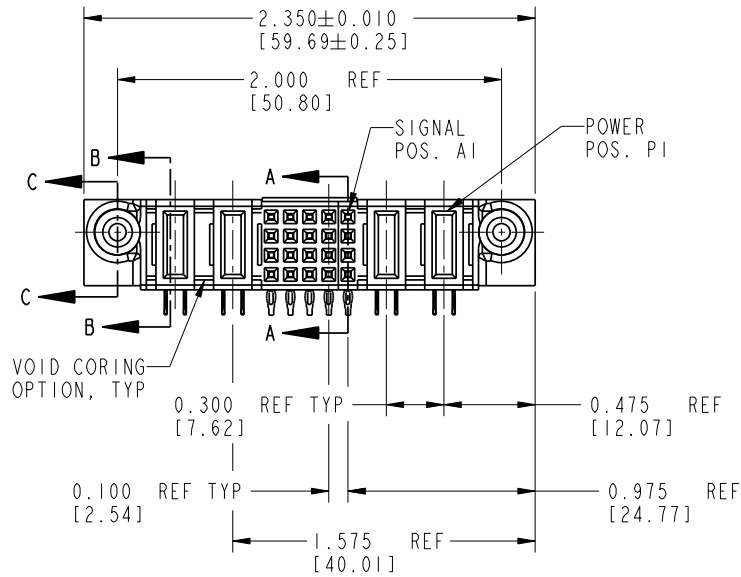


Tous droits strictement réservés. Reproduction ou communication o des liers interdite sous quelque forme que ce soit sans autorisation écrite du propriétaire. Propriete de c FCI. Drois de reproduction FCI.

All rights strictly reserved. Reproduction or issue to third parties in any form whatever is not permitted without written authority from the proprietor. Property of FCI. Copyright FCI.

FCI

PRODUCT No.	ROWS	POWER			SIGNAL					POWER		E1
		E2	P4	P3	5	4	3	2	1	P2	P1	
51866-005-- NOTE: 1	D C B A											



CODE	DIM "M" ±0.010[0.25]	DIM "T" ±0.010[0.25]	CONTACT TYPE
N	N/A [N/A]	0.154 [3.91]	SIGNAL
P	N/A [N/A]	0.154 [3.91]	SIGNAL
R	N/A [N/A]	0.154 [3.91]	SIGNAL
S	N/A [N/A]	0.154 [3.91]	SIGNAL
PF	0.092 [2.34]	0.154 [3.91]	POWER

mat'l code				SEE NOTE		tolerances unless otherwise specified		CUSTOMER		FCI www.fciconnect.com	
lir	ecn no.	dr	date	linear	.XX±.01/0.X±0.3		COPY		title		
A	V12501	JWS	10/15/01		.XXX±.005/0.XX±0.13		projection		2P + 20S + 2P		
B	DG05-0530	GuoJM	12/09/05	angles	.XXX±.0020/0.XXX±0.051		INCH/MM		RIGHT ANGLE PRESSFIT RECEPTACLE		
					0°±2°		scale		product family		
				dr	J. SHAFFER	10/15/01	1:1		PwrBlade		
				enr	J. ALLISON	10/15/01			code		
				chr	J. ALLISON	10/15/01			213		
				appd	J. ALLISON	10/15/01			sheet		
sheet index	revision sheet	B	B					A		1 of 2	
		1	2					size		51866-005	

Tous droits strictement réservés. Reproduction ou communication a des tiers interdite sous quelque forme que ce soit sans autorisation écrite du propriétaire. Propriété de c FCI. Droits de reproduction FCI.

FCI

All rights strictly reserved. Reproduction or issue to third parties in any form whatever is not permitted without written authority from the proprietor. Property of FCI. Copyright FCI.

A

B

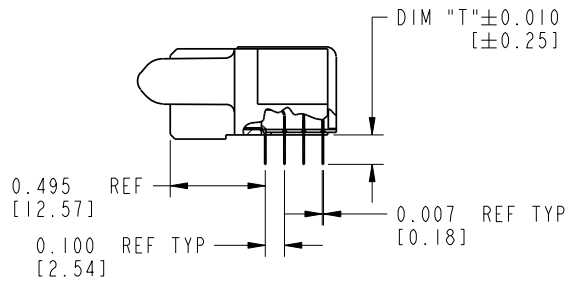
A

B

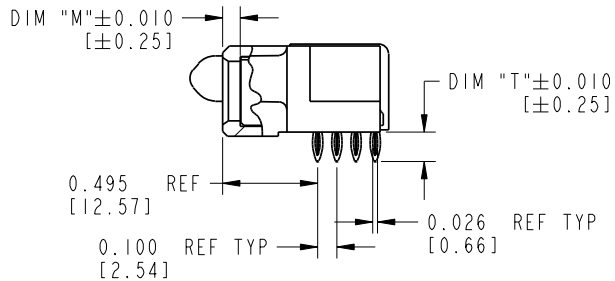
PRODUCT NUMBER

51866-005__

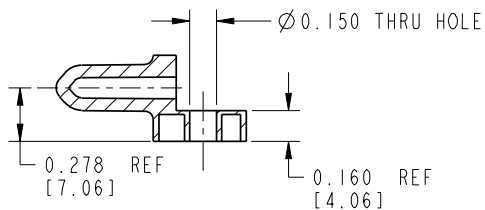
NOTE: 1



SECTION A-A
SCALE 1:1



SECTION B-B
SCALE 1:1



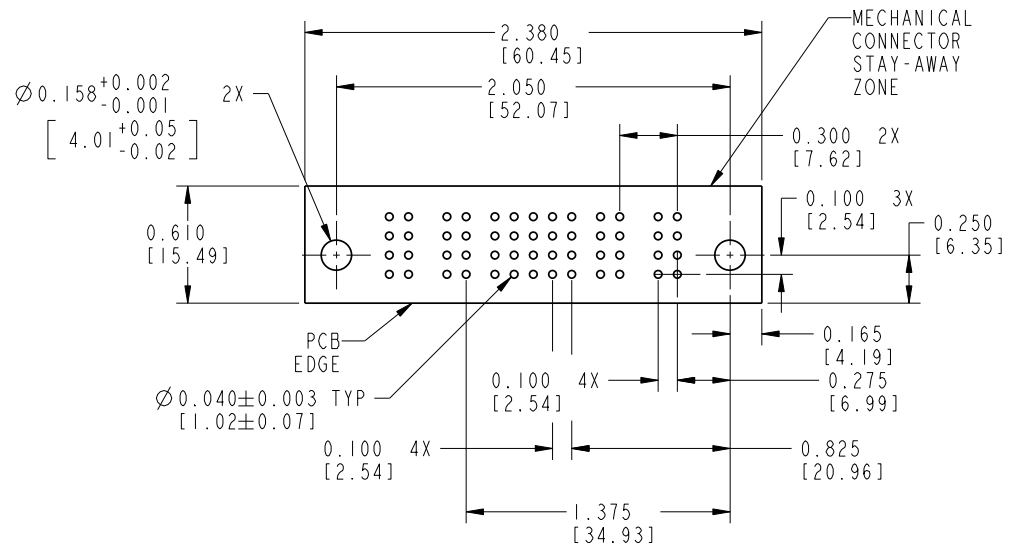
SECTION C-C
SCALE 1:1

CONNECTOR NOTES:

① FOR ADDITIONAL INFORMATION, REFER TO DRAWING NUMBER 51866.

PCB NOTES:

2. ALL DIMENSIONS ARE BASIC UNLESS OTHERWISE SPECIFIED.
3. ALL THROUGH HOLES ARE LOCATED WITH A TRUE POSITION OF 0.004 [0.10]
4. ALL HOLE DIAMETERS ARE FINISHED HOLE SIZE.
5. Ø0.158 THROUGH HOLES ARE UNPLATED.
6. Ø0.0453±0.0010 [1.151±0.025] DRILLED HOLES PLATED WITH 0.0003 [0.008] MIN SnPb OVER 0.001 [0.03] TO 0.003 [0.08] Cu PLATING TO ACHIEVE A Ø0.040±0.003 [1.02±0.07] HOLE.
7. USE FCI CAM TOOL 430140-XXX TO APPLY CONNECTOR TO PCB.



mat'l code				SEE NOTE		tolerances unless otherwise specified		CUSTOMER		A FCI	
lir	ecn no.	dr	date	linear	.XX±.01/0.X±0.3	projection	COPY		www.fciconnect.com		
B				angles	.XXX±.005/0.XX±0.13	INCH/MM	title		2P + 20S + 2P		
				dr	.XXX±.0020/0.XXX±0.051	scale	RIGHT ANGLE PRESSFIT RECEPTACLE		product family		
				engr	0°±2°	1:1	PwrBlade		code		
				chr	J. SHAFFER 10/15/01		size		213		
				appd	J. ALLISON 10/15/01		dwg no		sheet		
					J. ALLISON 10/15/01		A 51866-005		?		
sheet index	revision sheet										

Pro/E

PDM: Rev: B

STAT: Released

Printed: Aug 14, 2007